

FISCHBEIN BAG CLOSER

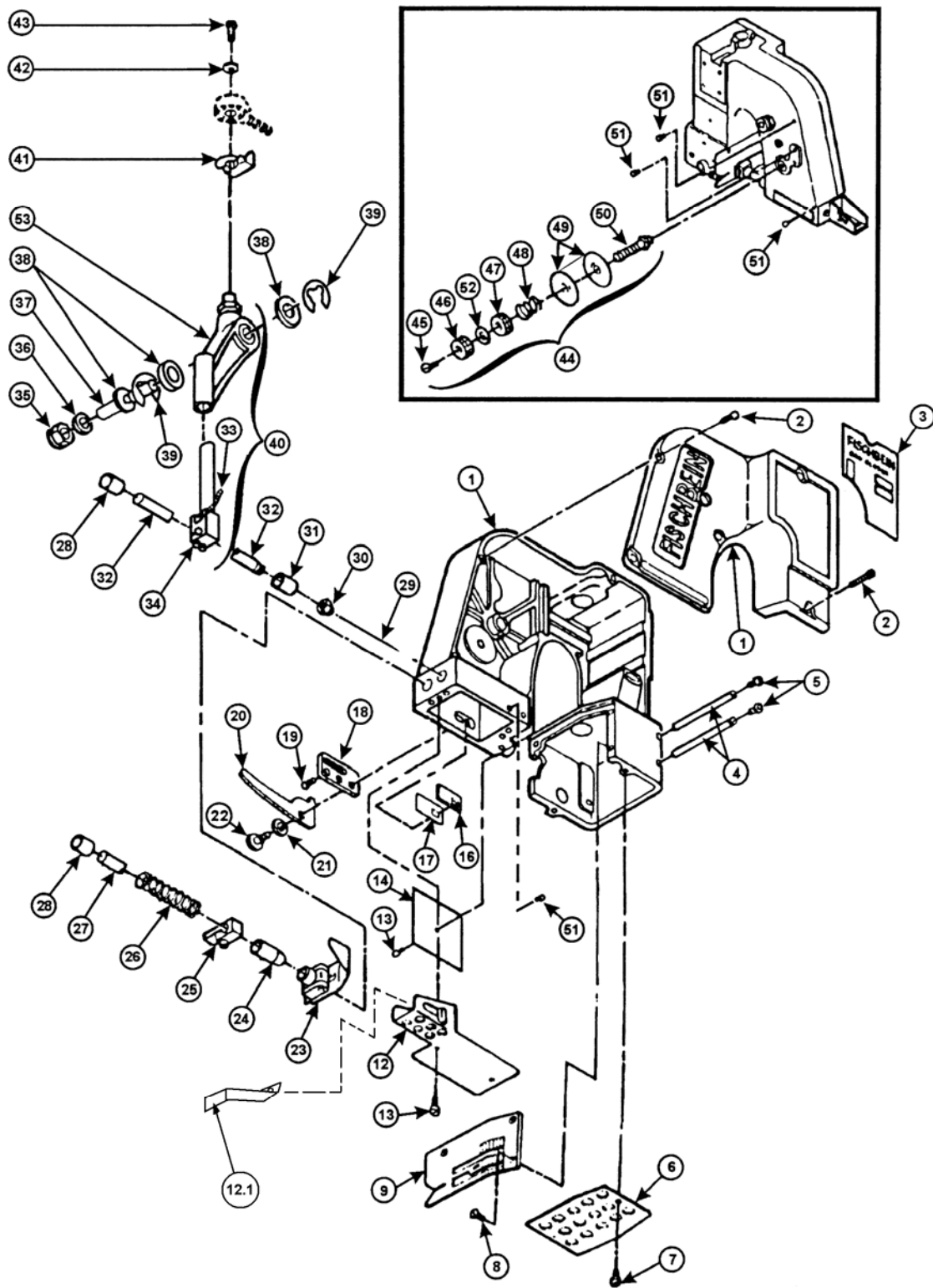
MODEL F

TYPE : F /

DRAWINGS

AND PARTS LIST

PLATE A - HOUSING, NEEDLE LEVER, PRESSER FOOT.



FISCHBEINCOMPANY

The Leader in Bag Closing Technology

PLATE A : HOUSING - NEEDLE , LEVER - PRESSER FOOT . PARTS LIST .

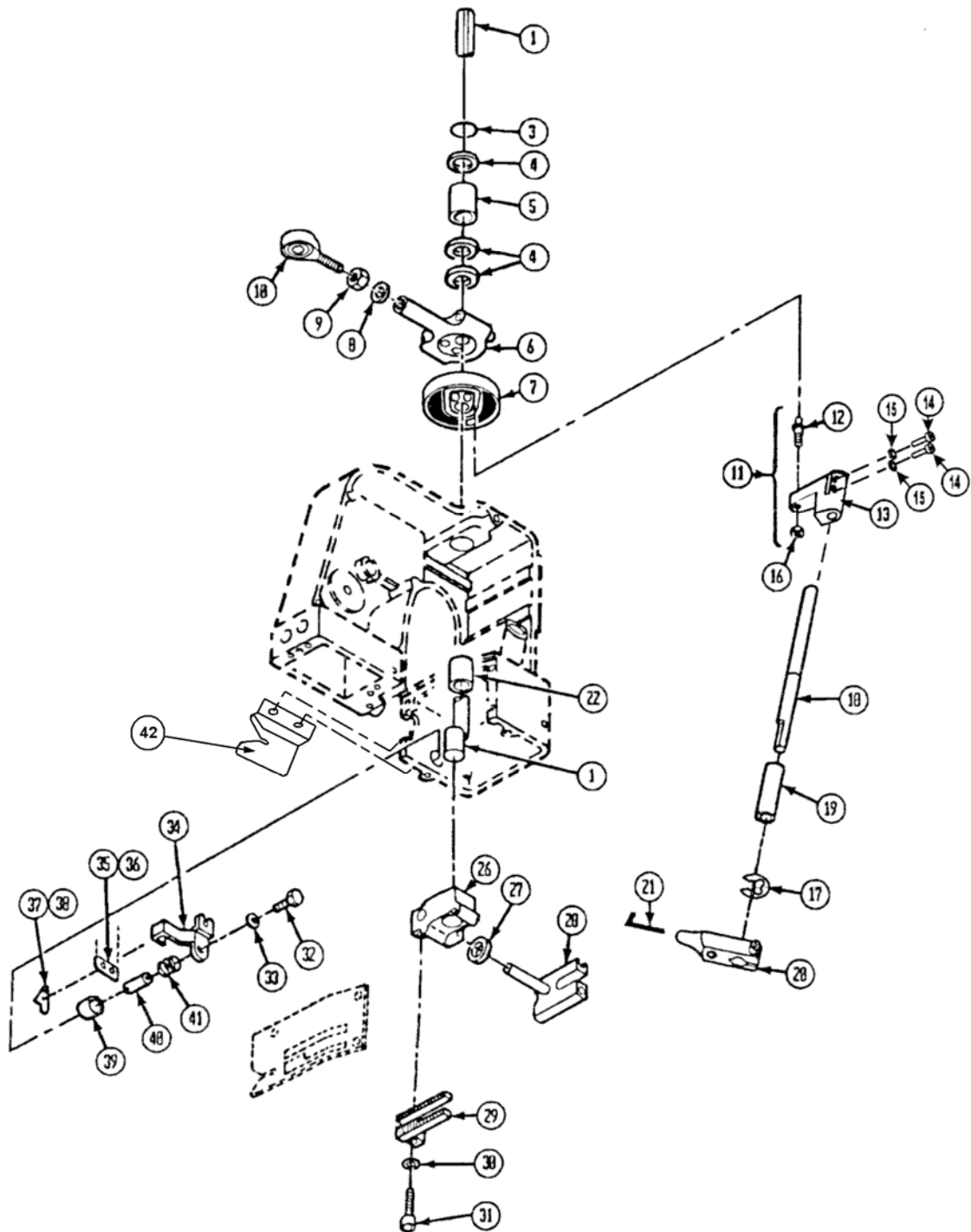
Item .	Qty .	Part number	Description :
1	1	11448	Housing assembly
	5	SS 832316HD	Screw , bushings Soc , set # 8-32 x3/16
2	6	SC83212	Screw # 8-32 x 5/8
3	1	40004	Name plate
4	2	11010	Stud , feed dog , carrier slide .
5	4	SB 103214	Soc button screw # 10-32 x1/4
6	1	11102	Cover , looper
7	1	11108	Stud looper cover
8	3	F 64038	Flat sunk screw # 6-40 x 3/8
9	1	11210	Throat plate
12	1	11101	Guard needle bar .
12.1	1	11104	Guard needle bar , add.
13	4	B 83214	Binding screw # 8-32 x 1/4
14	1	11009	Plate , cover
16	1	11657	Cover slide pad
17	1	11656	Pad , slide
18	1	11651	Plate lever
19	2	PH 832516	Phillips Head Screw # 8-32 x 5/16
20	1	11654	Lever lifter , presser foot
21	2	11655	Washer spring
22	1	11653	Screw , pivot
23	1	11400	Assy. presser foot
	1	11402	Bolt , hinging
	1	11711	Nut
	2	SS 832316HD	Screw , bushings Soc , set # 8-32 x3/16
23.1	1	11883	Guide , needle presser foot
	2	B 540316	Binding screw # 5-40 x 3/16
23.2	1	11882	Guard needle
24	1	11444	Bushing , lower
25	1	11652	Lifter presser foot
	1	SC 64058	Soc. cap screw # 6-40 x 5/8
26	1	11414	Spring presser bar
27	1	11404	Presser bar
28	2	11442	Bushing , upper presser bar
29	1	13050	Needle D5 , round point
30	1	11501	Nut needle bar
31	1	11443	Bushing needle bar , lower
32	1	11500	Needle bar
33	1	11508	Wicking
34	1	40502	Assy. Clamp needle bar (double)
35	1	11268	Nut , lock (Nylock) 3/8-24NC
36	1	A 3934	Washer flat # Idler

FISCHBEINCOMPANY

The Leader in Bag Closing Technology

Item.	Qty.	Part number.	Description .
37	1	40287	Pin pivot
38	2	WT 38132	Washer thrust needle lever
39	1	67694	Ring Retaining E-style (3/8" shaft)
40	1	40099	Assy , clamp needle bar and lever
41	1	11510	Spring
42	1	WF 10	Flat washer # 10
43	1	H 103212	Hex screw # 10-32 x 1/2
44	1	11112	Assy , thread tension
45	1	F 64038	Flat sunk screw # 6-40 x 3/8
46	1	11116	Nut , tension - upper
47	1	11117	Nut , tension - lower
48	1	11115	Spring , tension
49	2	11114	Disc , tension
50	1	11113	Stud , tension
51	4	11109	Eyelet , thread pull off
52	1	11120	Washer lock 1/4" LT tension
53	1	11025	Lever, Needle

PLATE B : MAIN SHAFT AND LOOPER ASSEMBLY.



FISCHBEINCOMPANY

The Leader in Bag Closing Technology

PLATE B : MAIN SHAFT AND LOOPER ASSEMBLY .

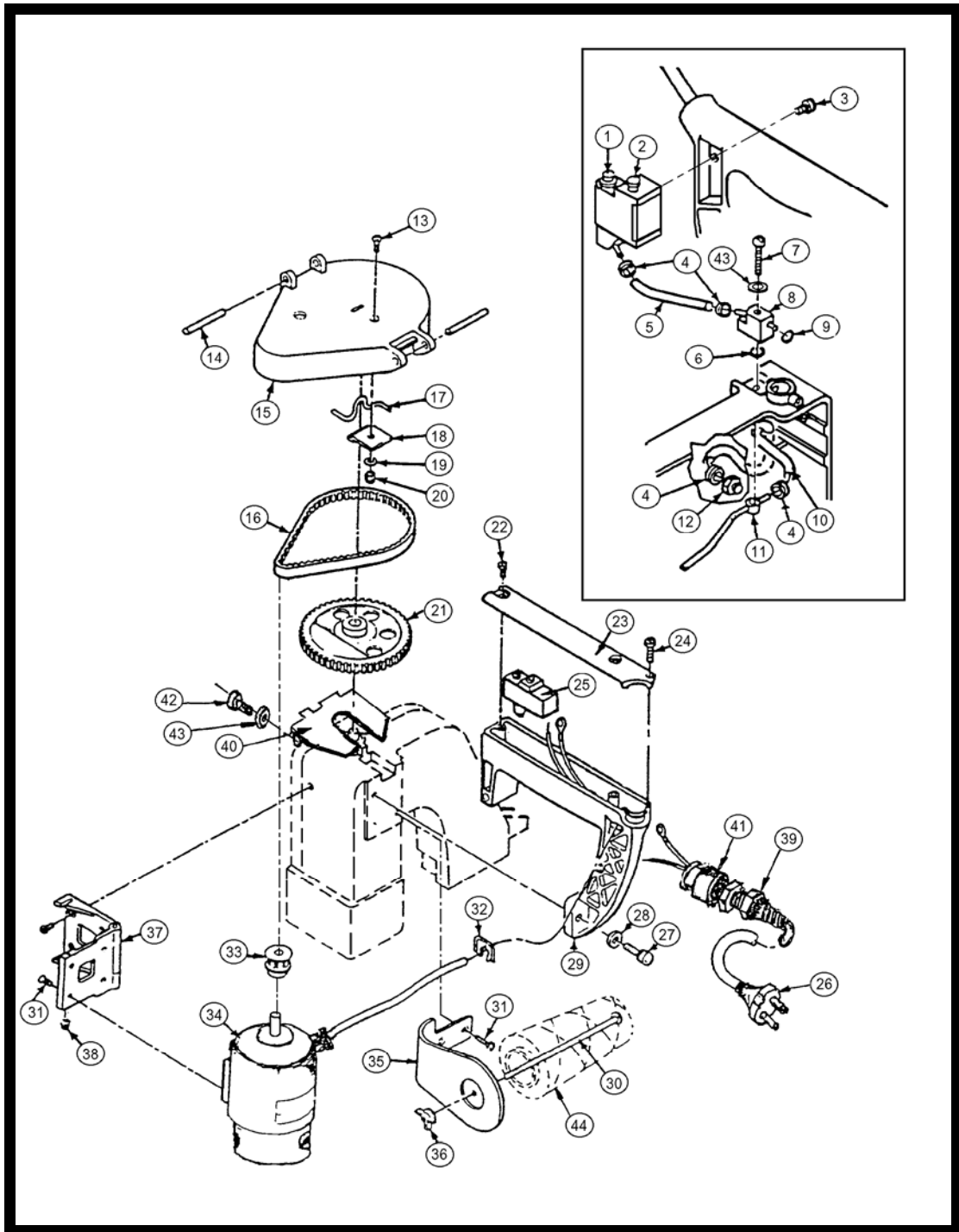
Item .	Qty.	Part number .	Description :
1	1	11600	Main shaft
	1	11616	Collar , main shaft (only for model FB)
	1	SC 54038	Soc. cap screw # 5-40 x 3/8
3	1	10420	Ring "O"
4	3	11006	Washer trust
5	1	11441	Bushing , main shaft rear
6	1	11079	Assembly connecting rod & eccentric (replacement)
7	1	40310	Assy. cam looper
	1	SS 83212CP **	Soc.set screw # 8-32 x 1/2 cone point
	1	SS 83212 **	Soc.set screw # 8-32 x 1/2
8	1	WIT 516	Washer , internal tooth
9	1	11608	Nut , hex special
10	1	11607	Bearing , rod end
11	1	40317	Assy , arm & stud cam follower
12	1	11308	Stud Cam follower
13	1	40307	Arm cam follower
14	2	SC 63258	Soc. cap screw # 6-32 x 5/8
15	2	40313	Washer flat
16	1	11309	Nut , hex special
17	1	67693	E-clips (1/4" shaft)
18	1	11303	Shaft looper
19	2	11445	Bushing , looper shaft
20	1	11301	Holder looper
	1	SS 832316HD	Soc.set screw # 8-32 x 3/16 HD
	1	SC 54038	Soc.cap screw " 5-40 x 3/8
21	1	11300	Looper
22	1	11447	Bushing main shaft , front
23	1	SB 83238	Soc .button screw # 8-32 x 3/8
24	1	WIT 8	Washer # 8 , internal tooth
25	1	11003	Clip angle
26	1	11437	Carrier block , feed dog
	4	SS 64038FP	Soc.set screw # 6-40 x 3/8 FP
27	1	11410	Washer felt
28	1	11446	Slide
29	1	11203	Feed dog
30	1	WS 8	Washer spring # 8
31	1	SC 8321	Soc. cap screw # 8-32 x 1
32	1	H 103238	Hex.screw # 10-32 x 3/8
33	1	WIT 10	Washer # 10 , internal tooth
34	1	11007	Bracket knife
35	1	11703	Knife , stationary
36	2	F 348516	Flat sunk screw # 3-48 x 5/16
37	1	11702	Knife , moving
38	2	F 348316	Flat sunk screw # 3-48 x 3/16
39	1	11016	Bushing , knife shaft
40	1	11707	Shaft knife
41	1	11704	Spring , knife tension
42	1	11125	Guard knife
43	1	SB 103214	Soc.button screw # 10-32 x 1/4
44	1	SB 83214	Soc. button screw # 8-32 x 1/4

** Max Torque: 0,14Nm

REF : 14810F-GB

ED.A10/2001

PLATE C : HANDLE AND ELECTRIC DRIVE .



FISCHBEINCOMPANY

The Leader in Bag Closing Technology

PLATE C: HANDLE AND ELECTRIC DRIVE

Item	Qty.	Part number	Description .
1	1	11450	Assy. oil pump
2	1	11453	Plug , pump oil
3	1	SB 83212	Screw soc. Btn # 8-32 x 1/2
4	4	11472	Clamp , spring tubing
5	1	85128	Tubing oil pump Tygon 1/4" OD (90mm long)
6	1	11479	Ring " O "
7	1	SB 832114	Screw soc. Btn # 8-32 x 1 1/4
8	1	11475	Assy , valve block manifold
9	1	11478	Ring " O "
10	1	85128	Tubing oil pump Tygon 1/4" OD (153mm long)
11	1	11485	Weldment , manifold inside
12	1	11490	Fitting
13	1	SF 832516	Screw Soc.Flat # 8-32 x 5/16
14	2	PS 6.6x40	Spring Pin 1/4" Ø x1.5"
15	1	11198	Assy , guard
16	1	11909	Belt
17	1	11012	Hanger
18	1	11017	Clip , hanger
19	1	WIT 8	Washer , internal tooth # 8
20	1	NH 832	Nut # 8-32
21	1	11904	Pulley , assy
	2	SS 103212	Soc.set screw # 10-32 x 1/2
22	2	SB 103212	Soc.button screw # 10-32 x 1/2"
23	1	11011	Cover , handle
24	1	SC 44034	Screw Soc. Cap # 4-40 x 3/4
25	1	12500	Switch
26	1	12427	Cord set
27	2	SC 142034	Soc.cap screw # 1/4-20 x 3/4
28	2	WS 14	Washer spring # 1/4
29	1	11028	Handle
30	1	11804	Bolt , thread clamping
31	10	SF 103238	Flat soc.screw # 10-32 x 3/8
32	1	11073	Strain relief
33	1	11902	Pulley motor
	2	SS 832316	Soc.set screw # 8-32 x 3/16
34	1	67753	Motor 230 volt
34.1		12400-110V	Motor 110 volt
34.2		12400-24V	Motor 24 volt
34.3		67342	Motor 12 volt DC
35	1	11815	Stand , thread
36	1	11805	Wing nut
37	1	11906	Assy , hinge motor mount
38	2	11908	Screw , hinge
39	1	12428	Cord set reinforcement
40	1	11801	Guard pulley drive
41	1	11784	Adapter
42	2	B 83214	Binding screw # 8-32 x 1/4
43	2	WN 8	Washer nylon # 8
44	1	25010..	Thread cone
45	1	11084	Assy , belt guard and handle (items ,13..15,17...20,22..24,29)