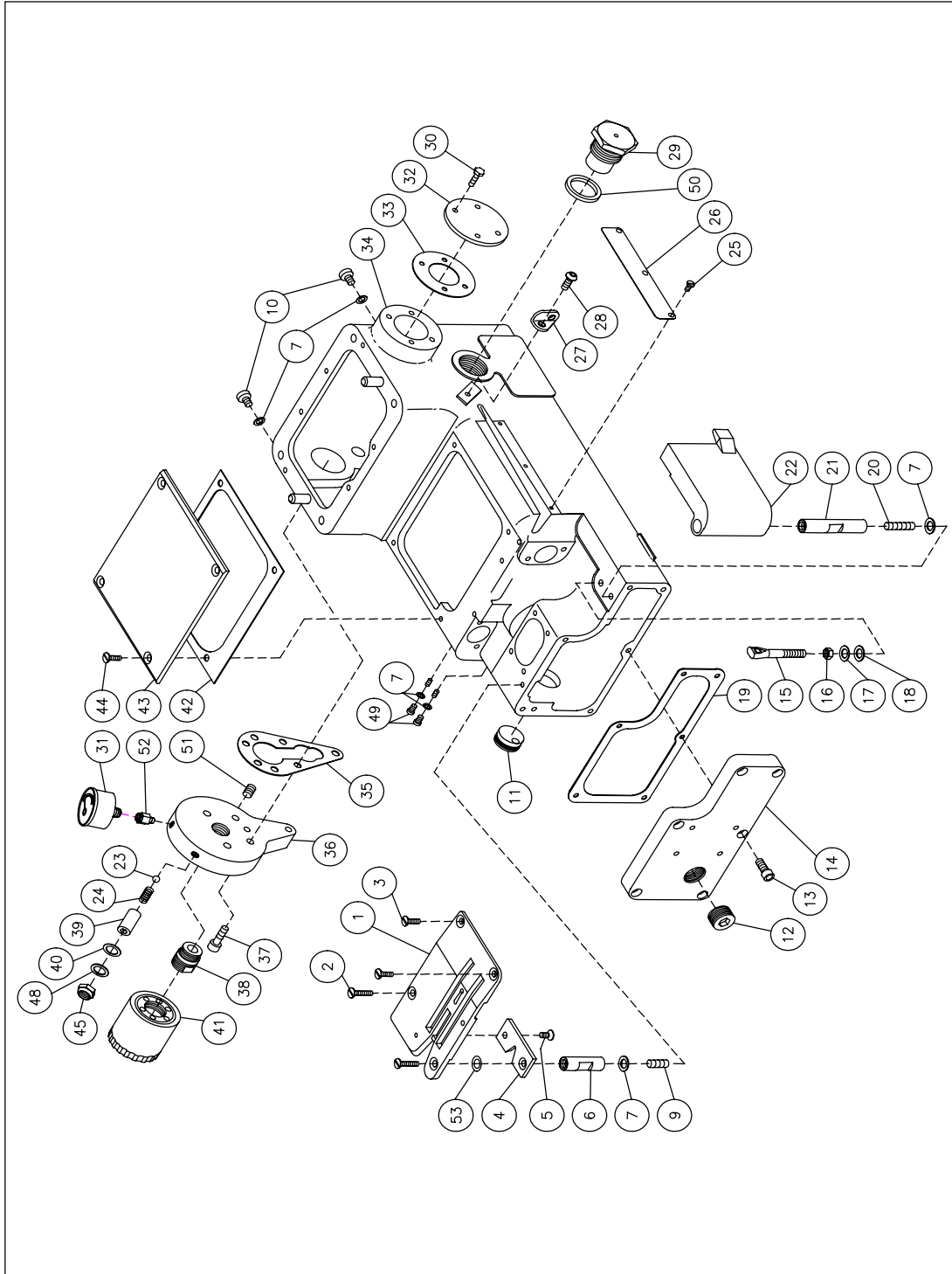


8. DRAWINGS AND PARTS LISTS

PART No.	DESCRIPTION	PAGE
8.1	MODEL 100 HOUSING	48-49
8.1.1	MODEL 101 HOUSING	50-51
8.2	MODEL 100 NEEDLE & PRESSER FOOT ASSEMBLIES	52-53
8.2.1	MODEL 101 NEEDLE & PRESSER FOOT ASSEMBLIES	54-55
8.3	MODEL 100 LEVER-HOUSING	56-57
8.3.1	MODEL 101 LEVER-HOUSING	58-59
8.4	MODEL 100 FEED ASSEMBLY	60-61
8.4.1	MODEL 101 FEED ASSEMBLY	62-63
8.5	MAINSHAFT ASSEMBLY	64-65
8.6	LOOPER ASSEMBLY	66
8.7	OIL PUMP ASSEMBLY	67
8.8	TAPE CLIPPER	68-69
8.9	ROTARY AIR KNIFE (110 VAC)	70-72
8.10	ROTARY AIR KNIFE (24 VDC)	74-76

8.1

MODEL 100 HOUSING



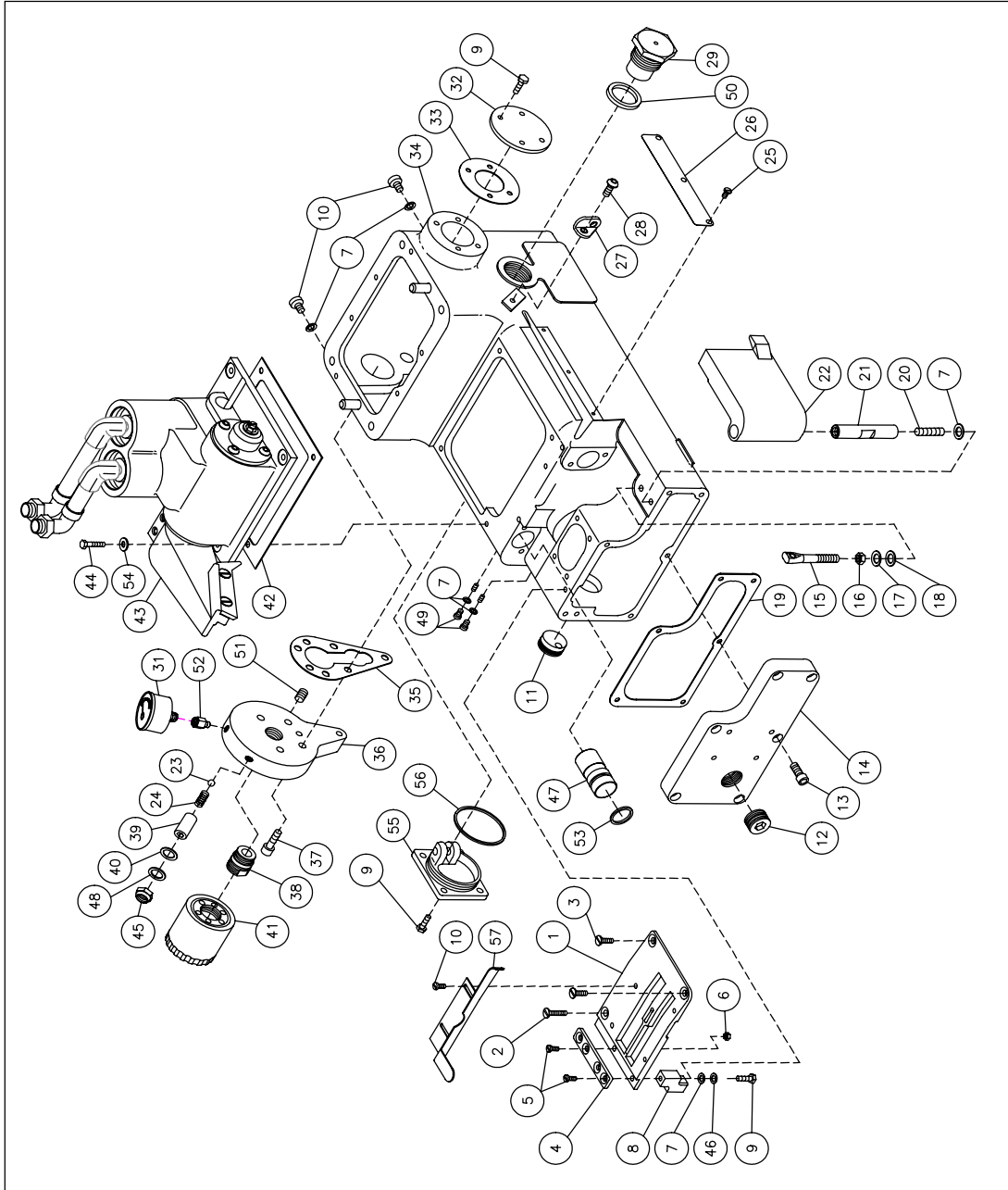
Item No.	Quantity	Part No.	Description:
1	1	10017	Throat plate
2	2	F103258	Screw, Flat 10-32 x 5/8
3	2	F103238	Screw, Flat 10-32 x 3/8
4	1	31032	Stationary knife

**FISCHBEIN® MODELS 100 & 101 EMPRESS™ SERIES SEWING HEAD
OPERATOR'S MANUAL**

Item No.	Quantity	Part No.	Description:
5	1	F83214	Screw, Flat 8-32 x 1/4
6	1	10015	Post, short-throat plate
7	6	WN 10	Washer, Nylon
8			
9	1	SS103258	Screw, Soc. Set 10-32 x 5/8
10	2	B103214	Screw, Binding HD 10-32 x 1/4
11	1	10112	Window, oil level
12	1	10111	Plug, drain – magnetic
13	6	SC103258	Screw, Soc. Cap 10-32 x 5/8
14	1	15072	Cover, bottom
15	1	10170	Pull off looper thread
16	1	NH1420	Nut, Hex 1/4-20
17	1	WF14	Washer, Flat ¼
18	1	10052	Washer, Nylon
19	1	10093	Gasket, cover – bottom
20	1	SS10321	Screw, Soc. Set 10-32 x 1
21	1	10016	Post, long – throat plate
22	1	10005	Door , looper
23	1	15069	Ball , chrome (part of Item 36 (15056) assy)
24	1	15078	Spring, pressure (part of Item 36 (15056) assy)
25	3	B632316	Screw, Binding HD 6-32 x 3/16
26	1	10098	Cover, groove – thread
27	1	10164	Eyelet, thread – short
28	1	SB103212	Screw, Soc. BTTN 10-32 x 1/2
29	1	10116	Assy, plug – breather
30	4	H103212	Screw, Hex HD 10-32 x 1/2
31	1	15053	Gauge, oil pressure 60 PSI
32	1	15079	Plate, cover – side
33	1	10094	Gasket, mainshaft seal
34	1	31002	Housing, main
35	1	10095	Gasket, cover – manifold
36	1	15056	Manifold, filter-oil assy (includes items 23,24,39,40,45,48)
37	5	SC103234	Screw, Soc. Cap 10-32 x 3/4
38	1	15062	Nipple , filter oil
39	1	15064	Plug, adjusting – manifold (part of Item 36 (15056) assy)
40	1	15074	Seal, Pressure Control–Manifold (part of Item 36 (15056) assy)
41	1	15054	Cartridge, oil – filter
42	1	10092	Gasket, cover –top
43	1	10014	Plate, cover – top
44	4	F103238	Screw, Flat HD 10-32 x 3/8
45	1	11268	Nut, lock (part of Item 36 (15056) assy)
46			
47			
48	1	A3934	Washer, Thrust (part of Item 36 (15056) assy)
49	2	B103238	Screw, BTTN 10-32 x 3/8
50	1	10338	O-ring, 7/8 ID
51	1	10125	Plug 1/8 NPT
52	1	16034	Fitting, Adapter 1/8 M x 1/8 F 45 Deg
53	.5	15024	Spacer, Shim

8.1.1

MODEL 101 HOUSING

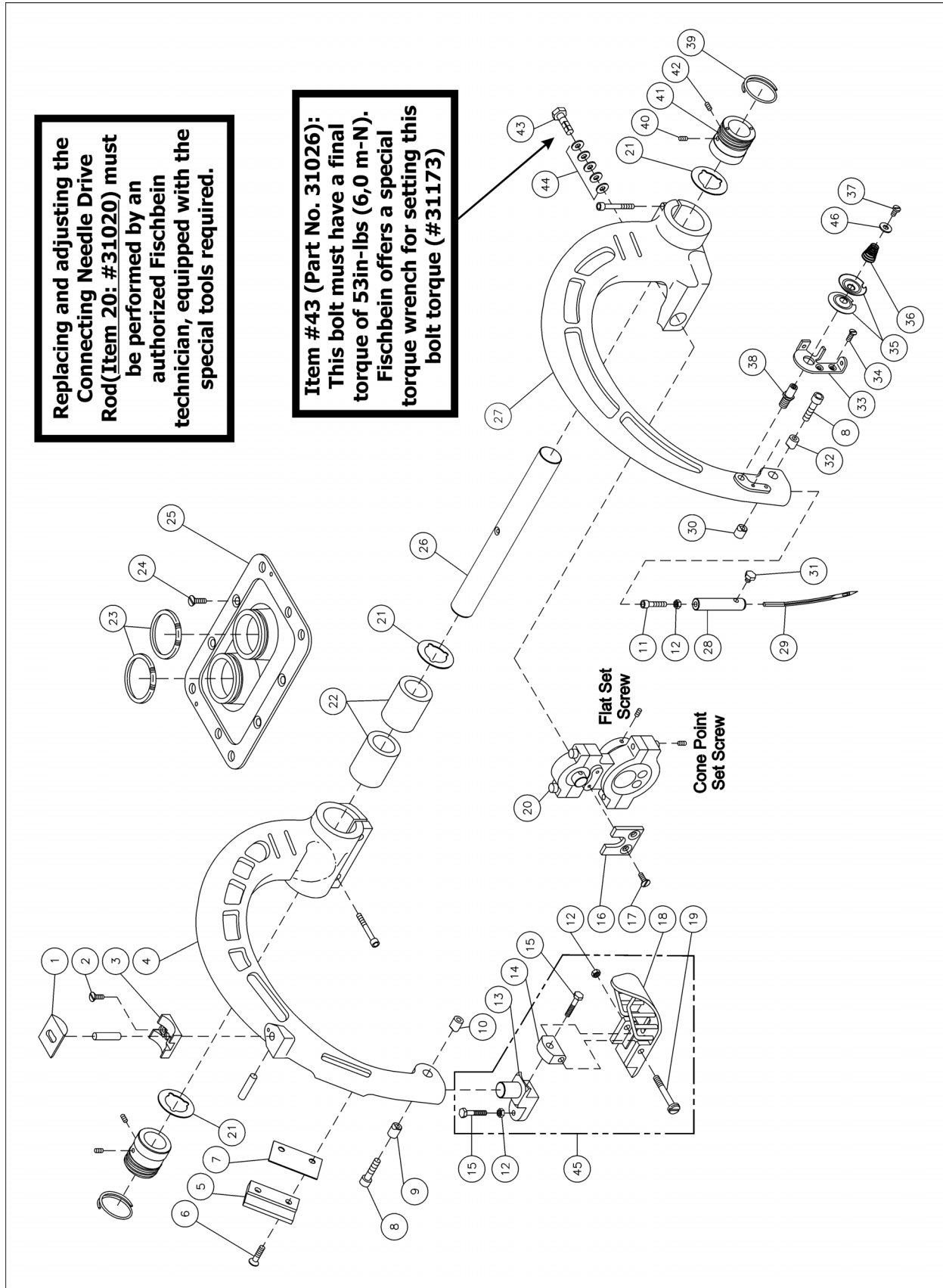


Item No.	Quantity	Part No.	Description:
1	1	10485	Throat plate, Wide Tape (STD)
2	1	F103258	Screw, Flat 10-32 x 5/8
3	2	F103238	Screw, Flat 10-32 x 3/8
4	1	10446	Knife, Blade-Bed (wide)
5	2	F83212	Screw, Flat 8-32 x 1/2
6	1	NH832	Nut, Hex #8-32
7	6	WN10	Washer, Nylon
8	1	10434	Post-Offset
9	5	H103212	Screw, Hex HD 10-32 x 1/2

**FISCHBEIN® MODELS 100 & 101 EMPRESS™ SERIES SEWING HEAD
OPERATOR'S MANUAL**

Item No.	Quantity	Part No.	Description:
10	4	B103214	Screw, Binding HD 10-32 x 1/4
11	1	10112	Window, oil level
12	1	10111	Plug, drain – magnetic
13	6	SC103258	Screw, Soc. Cap 10-32 x 5/8
14	1	15072	Cover, bottom
15	1	10170	Pull off looper thread
16	1	NH1420	Nut, Hex 1/4-20
17	1	WF14	Washer, Flat ¼
18	1	10052	Washer, Nylon
19	1	10093	Gasket, cover – bottom
20	1	SS10321	Screw, Soc. Set 10-32 x 1
21	1	10016	Post, long – throat plate
22	1	10005	Door , looper
23	1	15069	Ball , chrome (part of Item 36 (15056) assy)
24	1	15078	Spring, pressure (part of Item 36 (15056) assy)
25	3	B632316	Screw, Binding HD 6-32 x 3/16
26	1	10098	Cover, groove – thread
27	1	10164	Eyelet, thread – short
28	1	SB103212	Screw, Soc. BTTN 10-32 x 1/2
29	1	10116	Assy, plug – breather
30			
31	1	15053	Gauge, oil pressure 60 PSI
32	1	15079	Plate, cover – side
33	1	10094	Gasket, mainshaft seal
34	1	31002	Housing, main
35	1	10095	Gasket, cover – manifold
36	1	15056	Manifold, filter Assy. (includes items 23,24,39,40,45,48)
37	5	SC103234	Screw, Soc. Cap 10-32 x 3/4
38	1	15062	Nipple , filter oil
39	1	15064	Plug, adjusting – manifold (part of Item 36 (15056) assy)
40	1	15074	Seal, Pressure Control-Manifold (part of Item 36 (15056) assy)
41	1	15054	Cartridge, oil – filter
42	1	10092	Gasket, cover –top
43	1	31035	Assy, Clipper
44	4	H103258	Screw, Hex HD 10-32 x 5/8
45	1	11268	Nut, lock (part of Item 36 (15056) assy)
46	1	WF10	Washer, Flat #10
47	1	10442	Plug
48	1	A3934	Washer, Thrust (part of Item 36 (15056) assy)
49	2	B103238	Screw, BTTN 10-32 x 3/8
50	1	10338	O-ring, 7/8 ID
51	1	10125	Plug 1/8 NPT
52	1	16034	Fitting, Adapter 1/8 M x 1/8 F 45 Deg
53	1	10441	O-ring, 5/8 ID
54	4	10438	Washer, Compression
55	1	10085	Bracket, Pivot Knife
56	1	10084	O-ring, Pump Body & Knife Plug
57	1	10449	Fence, Throat

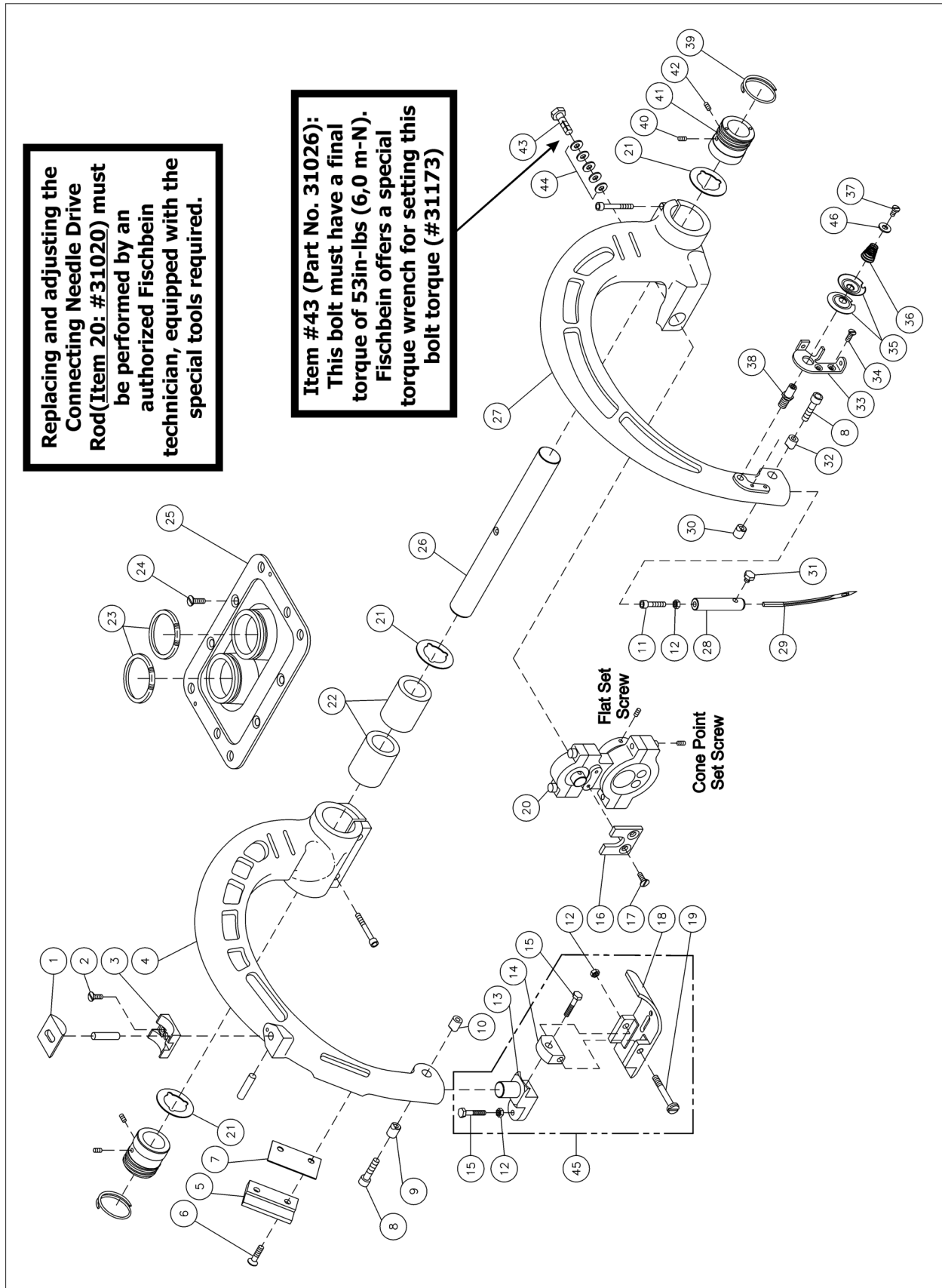
8.2 MODEL 100 NEEDLE & PRESSER FOOT ASSEMBLY



**FISCHBEIN® MODELS 100 & 101 EMPRESS™ SERIES SEWING HEAD
OPERATOR'S MANUAL**

Item No.	Quantity	Part No.	Description:
1	1	10190	Pad, spring presser foot
2	1	F63214	Screw, Flat 6-32 x ¼
3	1	10189	Cradle, pad presser foot
4	1	10004	Lever, presser foot
	2	SC14201	Screw, Soc. Cap 1/4-20 x 1
	2	PS14112	Pin, Spring
5	1	10163	Clamp, bearing sheet
6	2	SF103258	Screw, Soc. Flat 10-32 x 5/8
7	1	10162	Sheet, bearing presser foot
8	2	SC63234	Screw, Soc. Cap 6-32 x ¾
9	1	10213	Plug, clamp drilled (presser foot)
10	1	10214	Plug, clamp tapped (presser foot)
11	1	SC103234	Screw, Soc. Cap 10-32 x ¾
12	3	11309	Nut, Hex – Special CZ
13	1	10155	Shank, presser foot
14	1	10156	Block, hinging presser foot
15	2	H103258	Screw, Hex 10-32 x 5/8
16	1	10048	Retainer, rod connecting
17	2	SF103238	Screw, Soc. Flat 10-32 x 3/8
18	1	10185	Presser foot
19	1	10182	Bolt, hinging presser foot
20	1	31020	Rod, connecting needle drive
	1	15109	Screw, Soc. Set Cone Point ¼-20 x 3/8
	1	SS142014	Screw, Soc. Set ¼-20 x ¼
21	3	31042	Washer, Thrust (special)
22	2	10029	Bushing, lever presser foot
23	2	10128	Spring, garter lever seal
24	4	F103238	Screw, Flat 10-32 x 3/8
25	1	31014	Seal, levers
26	1	10026	Shaft, lever
27	1	31024	Lever, needle
	2	SC1420114	Screw, Soc. Cap 1/4-20 x 1 ¼
28	1	10031	Chuck needle
29	1	C100-S	Needle
30	1	10212	Plug, clamp tapped
31	1	10011	Screw, clamp needle
32	1	10211	Plug, clam drilled
33	1	10166	Guide, thread (needle lever)
34	2	F54038	Screw, Flat 5-40 x 3/8
35	2	10119	Disc, tension (needle lever)
36	1	10009	Spring, tension (needle lever)
37	1	B103214	Screw, binding HD 10-32 x ¼
38	1	10113	Stud, tension (needle lever)
39	2	10023	Insert, thread – lever shaft bushing
40	2	SS1032516	Screw, Soc. Set 10-32 x 5/16
41	2	10025	Bushing, shaft levers
42	2	SS1032316	Screw, Soc. Set 10-32 x 3/16
43	1	31026	Screw, Hex 1/4-28 X 1/2 GR8 LG LOK
44	5	15076	Washer, Spring ¼
45		10157	Assembly, presser foot
46	1	WF8	Washer, Flat # 8

8.2.1 MODEL 101 NEEDLE & PRESSER FOOT ASSEMBLY

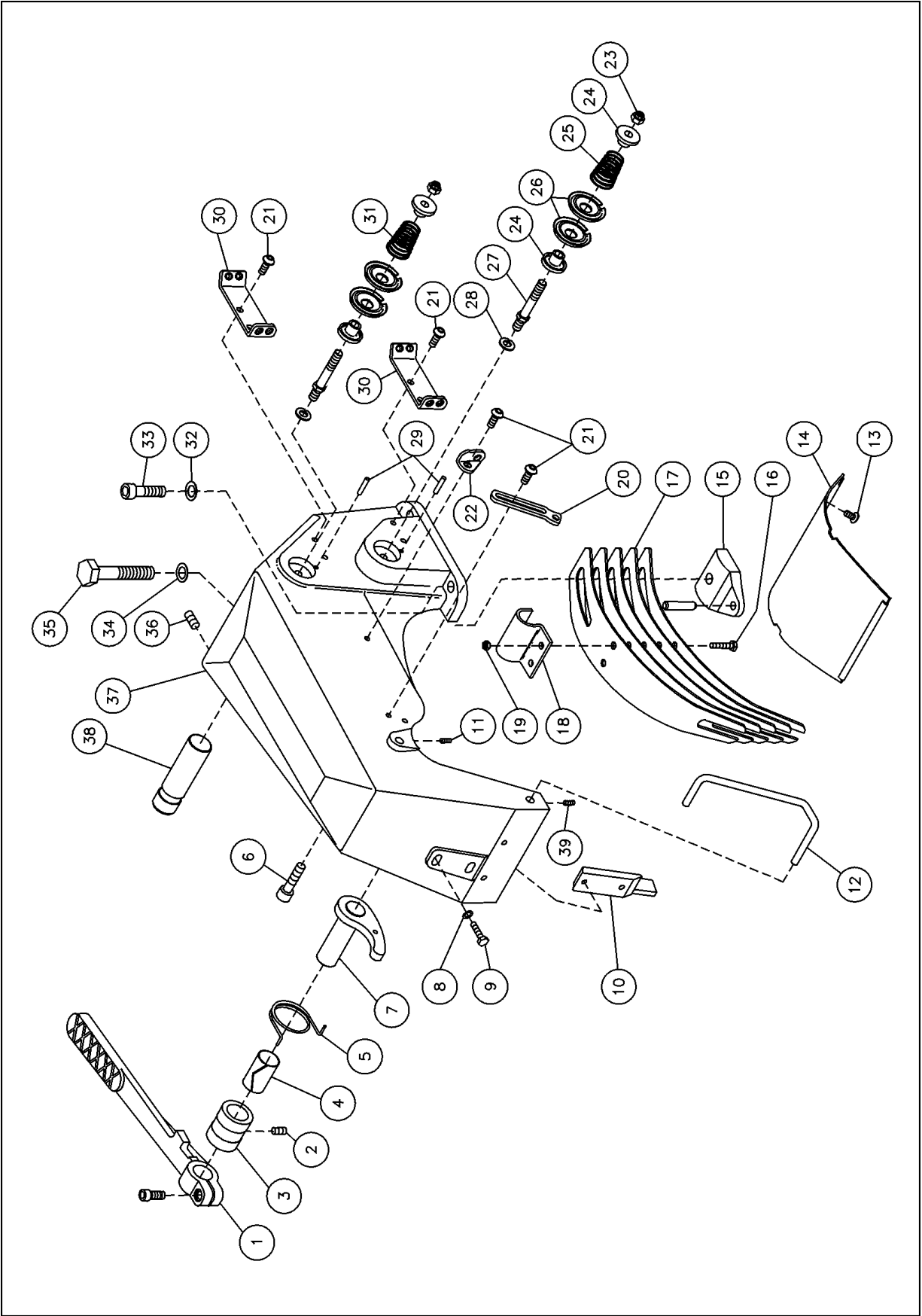


**FISCHBEIN® MODELS 100 & 101 EMPRESS™ SERIES SEWING HEAD
OPERATOR'S MANUAL**

Item No.	Quantity	Part No.	Description:
1	1	10190	Pad, spring presser foot
2	1	F63214	Screw, Flat 6-32 x ¼
3	1	10189	Cradle, pad presser foot
4	1	10004	Lever, presser foot
	2	SC14201	Screw, Soc. Cap 1/4-20 x 1
	2	PS14112	Pin, Spring
5	1	10163	Clamp, bearing sheet
6	2	SF103258	Screw, Soc. Flat 10-32 x 5/8
7	1	10162	Sheet, bearing presser foot
8	2	SC63234	Screw, Soc. Cap 6-32 x ¾
9	1	10213	Plug, clamp drilled (presser foot)
10	1	10214	Plug, clamp tapped (presser foot)
11	1	SC103234	Screw, Soc. Cap 10-32 x ¾
12	3	11309	Nut, Hex 10-32
13	1	10155	Shank, presser foot
14	1	10156	Block, hinged presser foot
15	2	H103258	Screw, Hex 10-32 x 5/8
16	1	10048	Retainer, rod connecting
17	2	SF103238	Screw, Soc. Flat 10-32 x 3/8
18	1	10484	Presser foot, Tape (wide)
19	1	10182	Bolt, hinging presser foot
20	1	31020	Rod, connecting needle drive
	1	15109	Screw, Soc. Set Cone Point ¼-20 x 3/8
	1	SS142014	Screw, Soc. Set ¼-20 x ¼
21	3	31042	Washer, Thrust (special)
22	2	10029	Bushing, lever presser foot
23	2	10128	Spring, garter lever seal
24	4	F103238	Screw, Flat 10-32 x 3/8
25	1	31014	Seal, levers
26	1	10026	Shaft, lever
27	1	31024	Lever, needle
	2	SC1420114	Screw, Soc. Cap 1/4-20 x 1 ¼
28	1	10031	Chuck needle
29	1	C100-S	Needle
30	1	10212	Plug, clamp tapped
31	1	10011	Screw, clamp needle
32	1	10211	Plug, clam drilled
33	1	10166	Guide, thread (needle lever)
34	2	SF54038	Screw, Flat 5-40 x 3/8
35	2	10119	Disc, tension (needle lever)
36	1	10009	Spring, tension (needle lever)
37	1	B103214	Screw, binding HD 10-32 x ¼
38	1	10113	Stud, tension (needle lever)
39	2	10023	Insert, thread – lever shaft bushing
40	2	SS1032516	Screw, Soc. Set 10-32 x 5/16
41	2	10025	Bushing, shaft levers
42	2	SS1032316	Screw, Soc. Set 10-32 x 3/16
43	1	31026	Screw, Hex 1/4-28 X 1/2 GR8 LG LOK
44	5	15076	Washer, Spring ¼
45		10481	Assembly, Presser Foot, Tape (wide)
46	1	WF8	Washer, Flat # 8

8.3

MODEL 100 LEVER - HOUSING

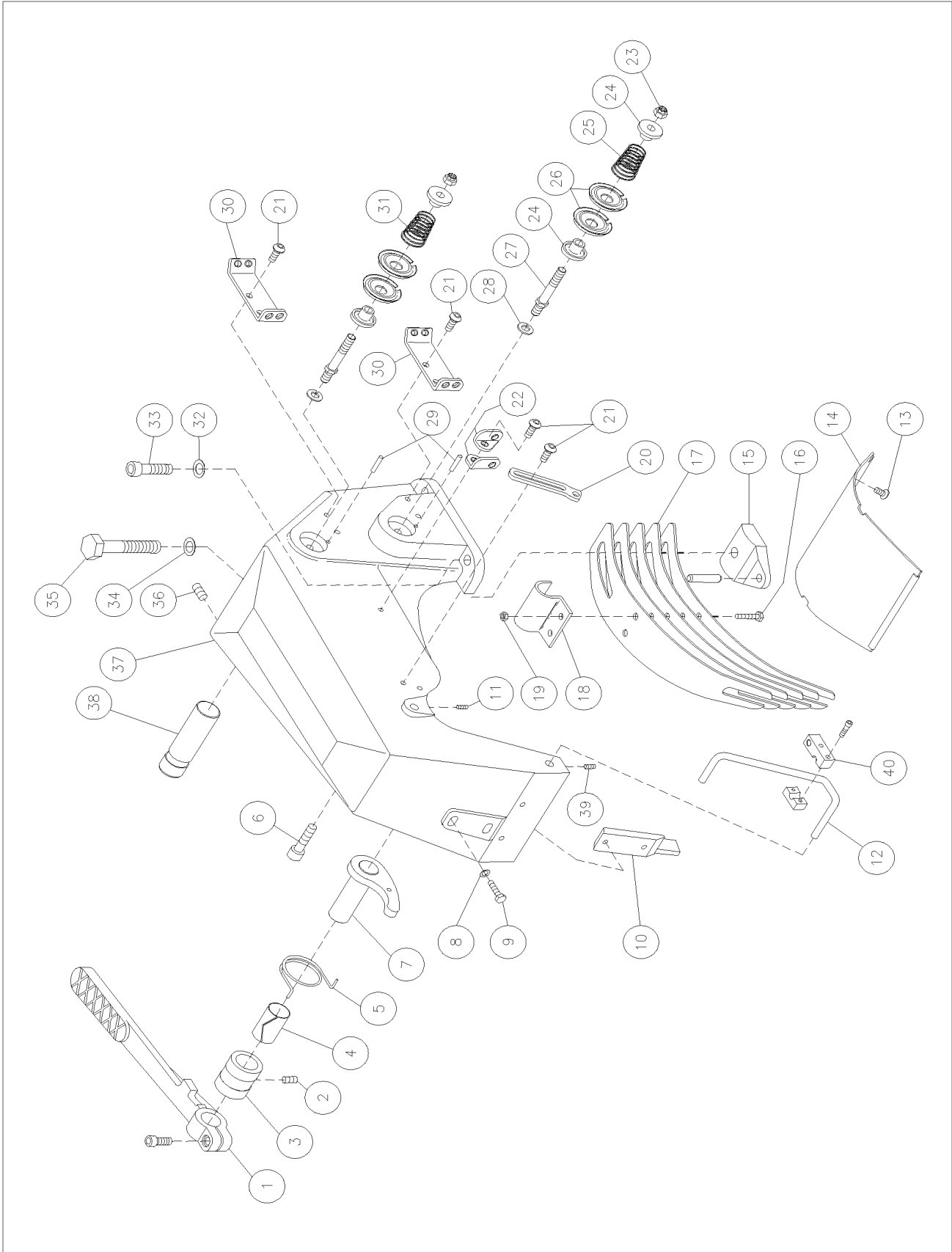


**FISCHBEIN® MODELS 100 & 101 EMPRESS™ SERIES SEWING HEAD
OPERATOR'S MANUAL**

Item No.	Quantity	Part No.	Description:
1	1	31034	Lever, lifter presser foot
	1	SC142034	Screw, Soc. Cap 1/4-20 x 3/4
2	1	SS142014	Screw, Soc. Set 1/4-20 x 1/4
3	1	10139	Bushing, lifter presser foot
4	1	10186	Liner, bushing lifter presser foot
5	1	10187	Spring, lifter lever
6	1	SC5161858	Screw, Soc. Cap 5/16-18 x 5/8
7	1	10142	Cam, lifter presser foot
8	2	WS10	Washer, Spring 10
9	2	H103278	Screw, Hex HD 10-32 x 7/8
10	1	10161	Guide, lever presser foot
11	1	SS1032516	Screw, Soc. Set 10-32 x 5/16
12	1	10188	Guard, tension needle
13	2	B103238	Screw, Binding HD 10-32 x 3/8
14	1	31031	Cover, guard lever
15	1	10146	Plate, presser foot
	1	PS 141	Pin, Spring
16	2	H103234	Screw, Hex HD 10-32 x 3/4
17	5	10145	Spring, presser foot
18	1	10144	Clamp, spring presser foot
19	2	1-178	Nut, lock
20	1	10171	Pull off, needle thread
21	7	SB103212	Screw, Soc. BTTN 10-32 x 1/2
22	1	10164	Eyelet, thread short
23	2	NH1428L	Nut 1/4-28 locking
24	4	10114	Sleeve, tension
25	1	10008	Spring, tension looper thread
26	4	10120	Disc, tension large
27	2	10115	Stud, tension
28	2	11120	Washer, Lock
29	2	PS18114	Pin, Spring retaining tension disc
30	2	10165	Eyelet, thread long (Guide)
31	1	10007	Spring, tension needle thread
32	4	10234	Washer, Spring
33	4	SC516181	Screw, Soc. Cap 5/16-18 x 1
34	1	WF38	Washer, Flat 3/8
35	1	H3824134	Screw, Adj. 3/8-24 x 1 3/4
36	1	SS142038	Screw, Soc. Set 1/4-20 x 3/8
37	1	31033	Housing, levers (LT Blue)
38	1	10143	Shaft, spring presser foot
39	1	SS1032316	Screw, Soc. Set 10-32 x 3/16

8.3.1

MODEL 101 LEVER - HOUSING

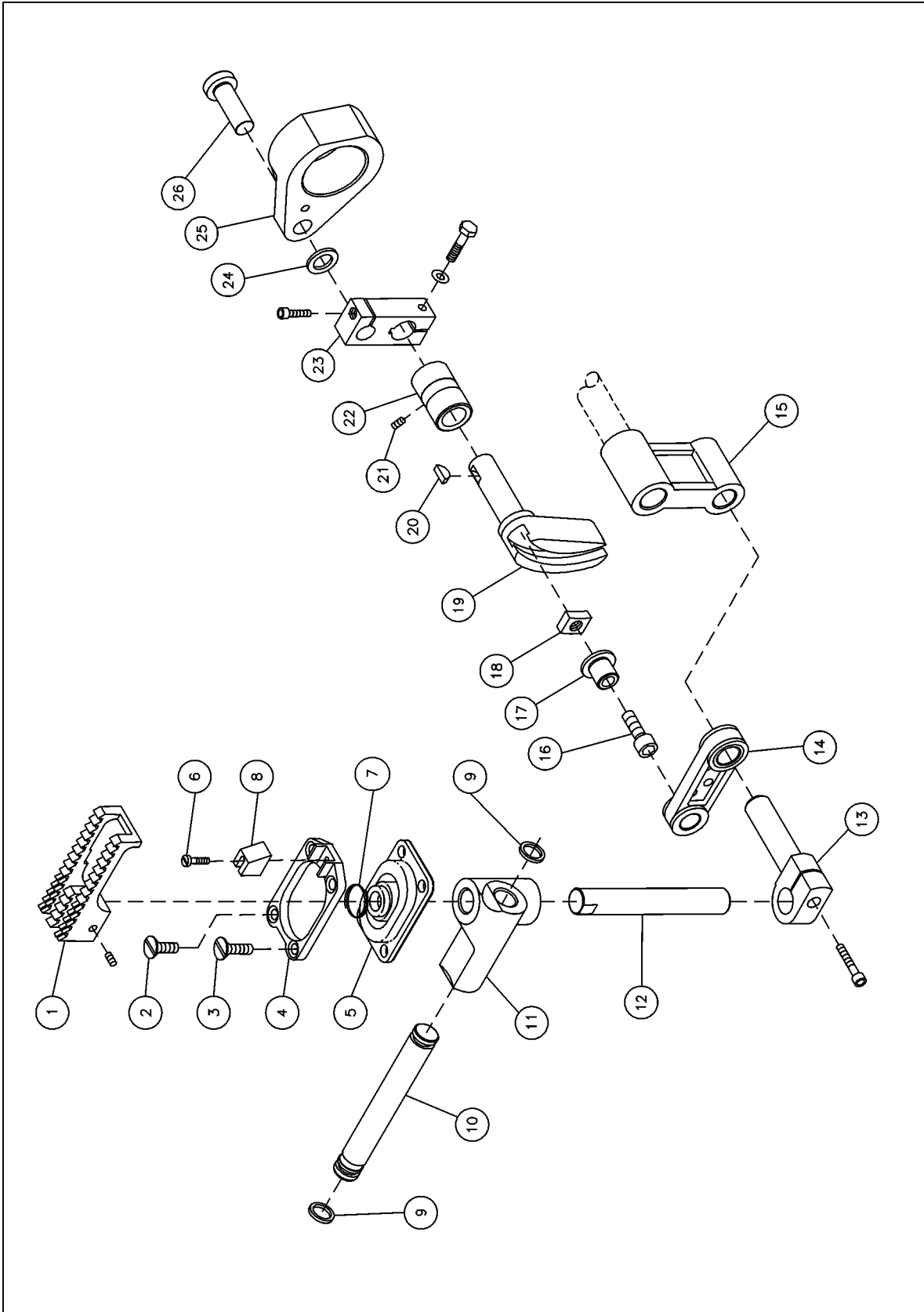


**FISCHBEIN® MODELS 100 & 101 EMPRESS™ SERIES SEWING HEAD
OPERATOR'S MANUAL**

Item No.	Quantity	Part No.	Description:
1	1	31034	Lever, lifter presser foot
	1	SC142034	Screw, Soc. Cap 1/4-20 x 3/4
2	1	SS142014	Screw, Soc. Set 1/4-20 x 1/4
3	1	10139	Bushing, lifter presser foot
4	1	10186	Liner, bushing lifter presser foot
5	1	10187	Spring, lifter lever
6	1	SC5161858	Screw, Soc. Cap 5/16-18 x 5/8
7	1	10142	Cam, lifter presser foot
8	2	WS 10	Washer, Spring 10
9	2	H103278	Screw, Hex HD 10-32 x 7/8
10	1	10161	Guide, lever presser foot
11	1	SS1032516	Screw, Soc. Set 10-32 x 5/16
12	1	10188	Guard, tension needle
13	2	B103238	Screw, Binding HD 10-32 x 3/8
14	1	31031	Cover, guard lever
15	1	10146	Plate, presser foot
	1	PS141	Pin, Spring
16	2	H 103234	Screw, Hex HD 10-32 x 3/4
17	5	10145	Spring, presser foot
18	1	10144	Clamp, spring presser foot
19	2	1-178	Nut, lock
20	1	10171	Pull off, needle thread
21	7	SB103212	Screw, Soc. BTTN 10-32 x 1/2
22	2	10164	Eyelet, thread short
23	2	NH1428L	Nut 1/4-28 locking
24	4	10114	Sleeve, tension
25	1	10008	Spring, tension looper thread
26	4	10120	Disc, tension large
27	2	10115	Stud, tension
28	2	11120	Washer, Lock
29	2	PS18114	Pin, Spring retaining tension disc
30	2	10165	Eyelet, thread long (Guide)
31	1	10721	Spring, tension-light needle thread
32	4	10234	Washer, Spring
33	4	SC516181	Screw, Soc. Cap 5/16-18 x 1
34	1	WF38	Washer, Flat 3/8
35	1	H3824134	Screw, Adj. 3/8-24 x 1 3/4
36	1	SS142038	Screw, Soc. Set 1/4-20 x 3/8
37	1	31033	Housing, levers (LT Blue)
38	1	10143	Shaft, Spring Presser Foot
39	1	SS1032316	Screw, Soc. Set 10-32 x 3/16
40	1	10216	Eyelet, Rip Cord

8.4

MODEL 100 FEED ASSEMBLY

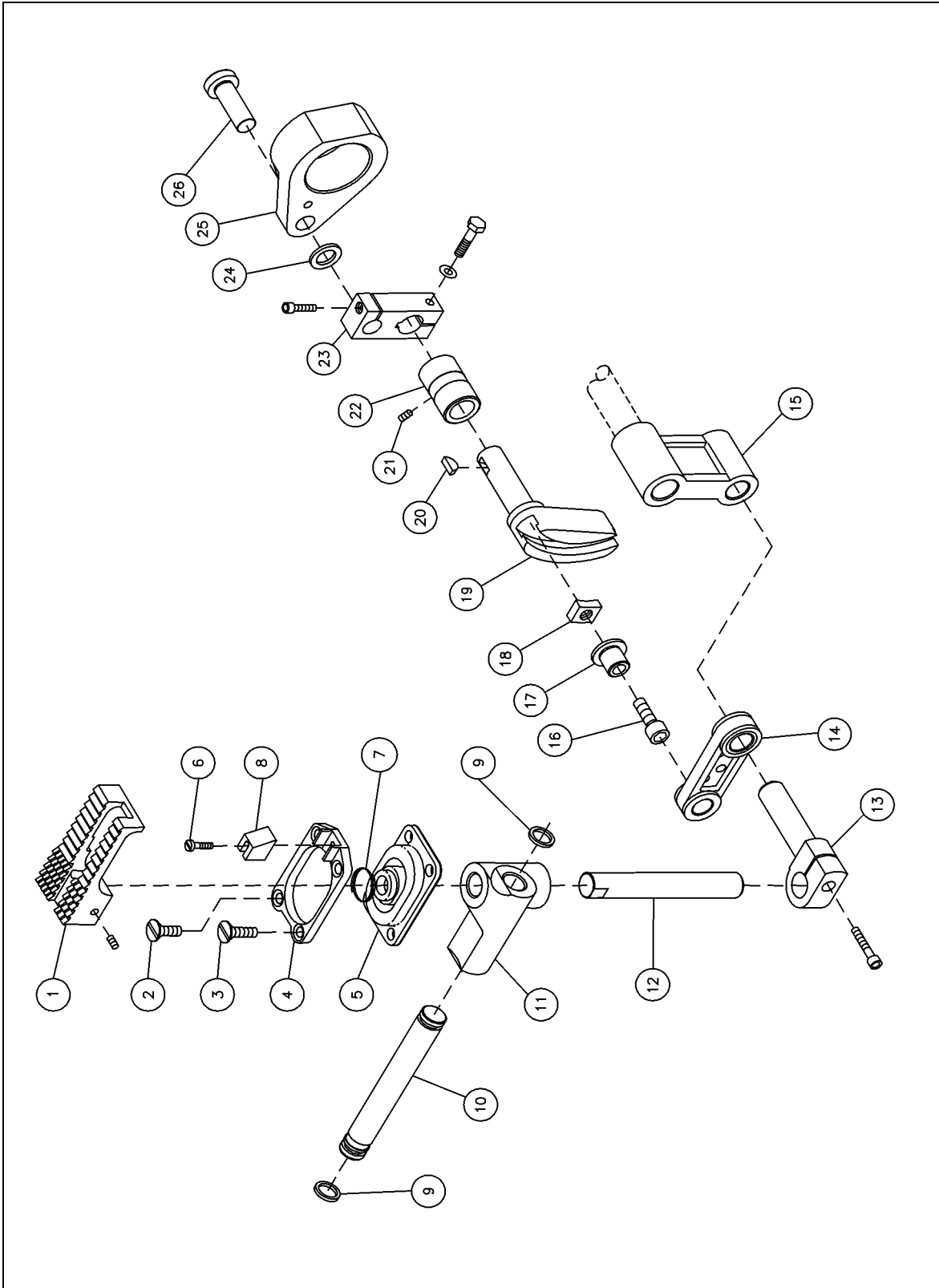


**FISCHBEIN® MODELS 100 & 101 EMPRESS™ SERIES SEWING HEAD
OPERATOR'S MANUAL**

Item No.	Quantity	Part No.	Description:
1	1	10078	Dog feed
	1	SS1032516	Screw, Soc. Set 10-32 x 5/16
2	1	F103238	Screw, Flat 10-32 x 3/8
3	3	F103212	Screw, Flat 10-32 x 1/2
4	1	10177	Holder, guard needle
5	1	10077	Seal, dog feed
6	1	P540916	Screw, Pan HD 5-40 x 9/16
7	1	10124	Ring, Garter-Seal (Feed Dog)
8	1	10174	Guard, needle
9	2	10075	O-ring
10	1	31012	Rod, slide feed
11	1	10073	Slide feed
12	1	31011	Rod, carrier feed dog
13	1	31008	Clamp, rod feed dog carrier
	1	SC142078	Screw, Soc. Cap 1/4-20 x 7/8
14	1	31010	Link, stroke feed
15	1	31009	Link, lift feed
16	1	SC142878	Screw, Soc. Cap 1/4-28 x 7/8
17	1	10068	Pivot, adjusting feed stroke
18	1	10067	Nut, pivot feed stroke
19	1	31007	Lever, slotted feed rocker
20	1	T3192	Key
21	1	SS1032516	Screw, Soc. Set 10-32 x 5/16
22	1	10109	Bushing, shaft feed rocker
23	1	31005	Lever, pin feed rocker
	1	SC54012	Screw, Soc. Cap 5-40 x 1/2
	1	H103234	Screw, Hex 10-32 x 3/4
	1	WF10	Washer, Flat #10
24	1	10215	Washer, Thrust
25	1	31023	Rod, connecting prim. Feed stroke
26	1	31006	Pin, rod feed stroke connect.

8.4.1

MODEL 101 FEED ASSEMBLY

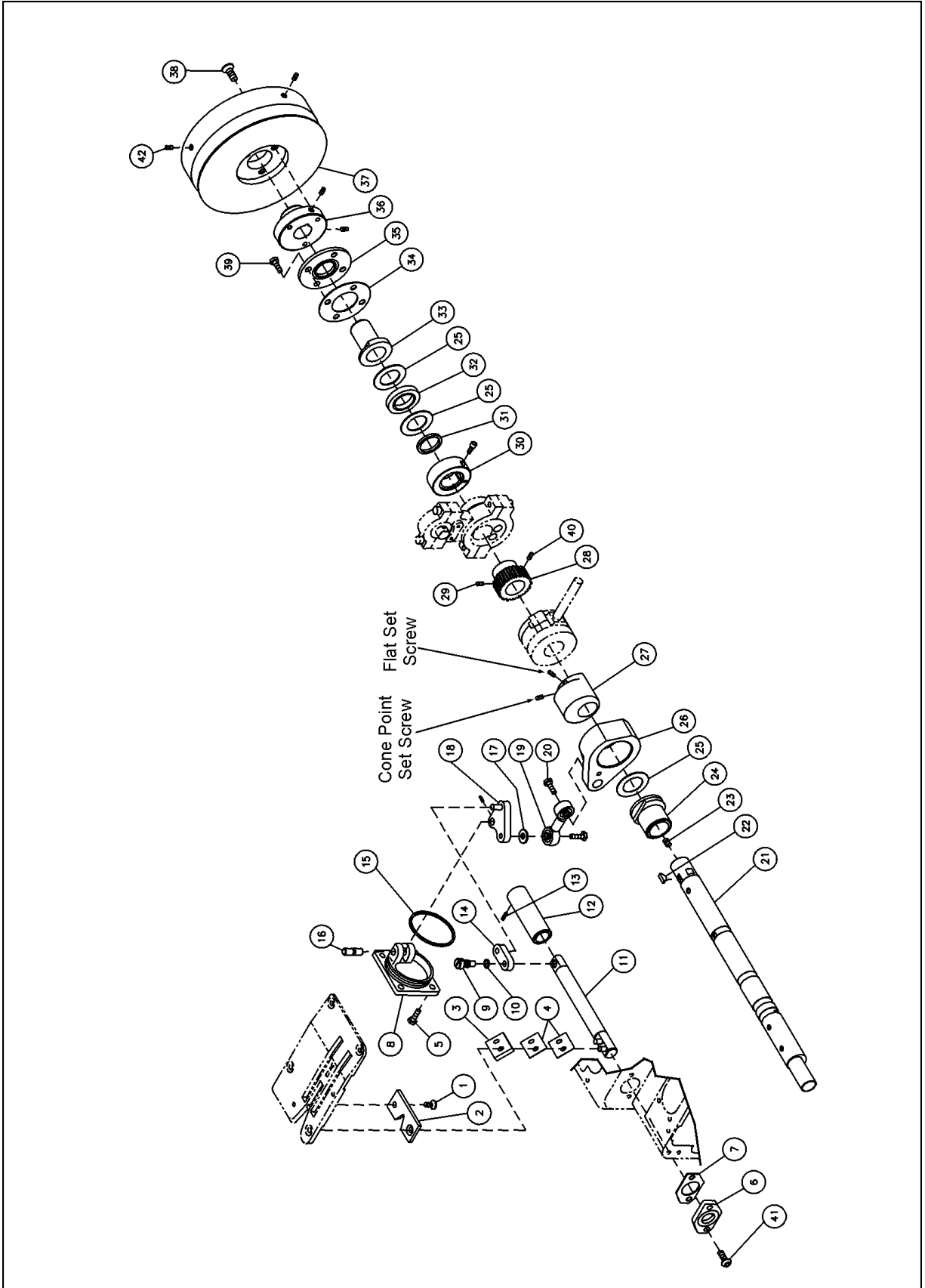


**FISCHBEIN® MODELS 100 & 101 EMPRESS™ SERIES SEWING HEAD
OPERATOR'S MANUAL**

Item No.	Quantity	Part No.	Description:
1	1	10486	Dog, feed, Tape (STD)
	1	SS1032516	Screw, Soc. Set 10-32 x 5/16
2	1	F103238	Screw, Flat 10-32 x 3/8
3	3	F103212	Screw, Flat 10-32 x 1/2
4	1	10177	Holder, guard needle
5	1	10077	Seal, dog feed
6	1	P540916	Screw, Pan HD 5-40 x 9/16
7	1	10124	Ring, Garter-Seal (Feed Dog)
8	1	10174	Guard, needle
9	2	10075	O-ring
10	1	31012	Rod, slide feed
11	1	10073	Slide feed
12	1	31011	Rod, carrier feed dog
13	1	31008	Clamp, rod feed dog carrier
	1	SC142078	Screw, Soc. Cap 1/4-20 x 7/8
14	1	31010	Link, stroke feed
15	1	31009	Link, lift feed
16	1	SC142878	Screw, Soc. Cap 1/4-28 x 7/8
17	1	10068	Pivot, adjusting feed stroke
18	1	10067	Nut, pivot feed stroke
19	1	31007	Lever, slotted feed rocker
20	1	T3192	Key
21	1	SS1032516	Screw, Soc. Set 10-32 x 5/16
22	1	10109	Bushing, shaft feed rocker
23	1	31005	Lever, pin feed rocker
	1	SC54012	Screw, Soc. Cap 5-40 x 1/2
	1	H103234	Screw, Hex 10-32 x 3/4
	1	WF10	Washer, Flat #10
24	1	10215	Washer, Thrust
25	1	31023	Rod, connecting prim. Feed stroke
26	1	31006	Pin, rod feed stroke connect.

8.5

MAINSHAFT ASSEMBLY



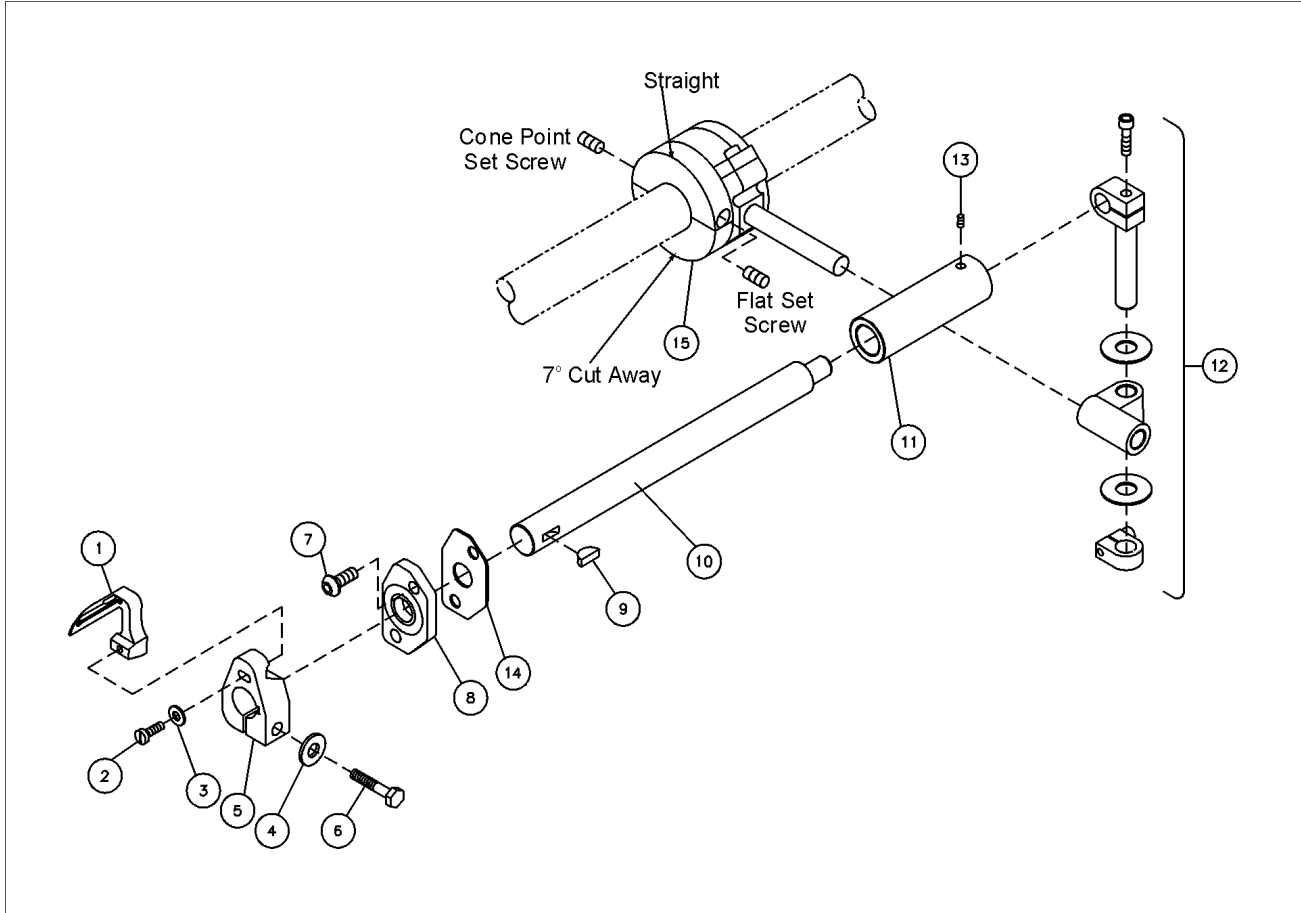
**FISCHBEIN® MODELS 100 & 101 EMPRESS™ SERIES SEWING HEAD
OPERATOR'S MANUAL**

Item No.	Quantity	Part No.	Description:
1	1	F83214	Screw, Flat #8-32 x ¼
2	1	31032	Stationary knife
3	1	31029	Moving knife
4	3	10089	Spring knife
5	4	H103212	Screw, Hex HD #10-32 x ½
6	1	15104	Assy, looper shaft seal
7	1	15105	Gasket, looper shaft seal
8	1	10085	Bracket, pivot knife
9	1	10087	Screw, pivot knife
10	1	11120	Washer, Lock
11	1	31016	Shaft, knife
12	1	10056	Bushing, shaft knife
13	1	SS103214CP	Screw, Soc. Set #10-32 x ¼ cone point
14	1	10086	Link, knife
15	1	10084	O-ring, Pump Body & Knife Plug
16	1	10083	Shaft, bell crank knife
17	1	WF10	Washer, Flat #10
18	1	10082	Crank, bell knife
	1	SS540316	Screw, Soc. Set #5-40 x 3/16
19	1	10080	Assembly, connecting rod knife
20	2	H103278	Screw, Hex HD #10-32 x 7/8
21	1	31015	Shaft, main
22	1	T3192	Key
23	1	10125	Plug, pipe mainshaft
24	1	31022	Bushing, mainshaft needle end
25	3	T3129	Washer, Thrust
26	1	31023	Rod, connecting prim. Feed stroke
27	1	31004	Eccentric, stroke feed
	1	15108	Screw, Soc. Set ¼-20 x 3/8
	1	15109	Screw, Soc. Set Cone Point ¼-20 x 3/8
28	1	31028	Gear, drive pump
29	1	SS832316CP	Screw, Soc. Set 8-32 x 3/16 cone point
30	1	15043	Collar, lock mainshaft
	REF		Screw, Soc. Cap HD 1/4-28 x 5/8
31	1	15032	O-ring, ¾ ID x 15/16 OD
32	1	P4024	Bearing, thrust
33	1	31021	Bushing, mainshaft drive end
34	1	10094	Gasket, mainshaft seal
35	1	10035	Assembly, seal mainshaft
36	1	10038	Hub, pulley
	2	15108	Screw, Soc. Set ¼-20 x 3/8
37	1	10199	Pulley, adjustable assembly
	2	SS142038	Screw, Soc. Set ¼-20 x 3/8
38	3	SF103258	Screw, Soc. Flat #10-32 x 5/8
39	4	SC103212	Screw, Soc. Cap #10-32 x ½
40	1	SS832316	Screw, Soc. Set #8-32 x 3/16
41	2	SB103212	Screw, Soc. BTTN #10-32 x ½
42	2	15108	Screw, Soc. Set ¼ - 20 x 3/8

**FISCHBEIN® MODELS 100 & 101 EMPRESS™ SERIES SEWING HEAD
OPERATOR'S MANUAL**

8.6

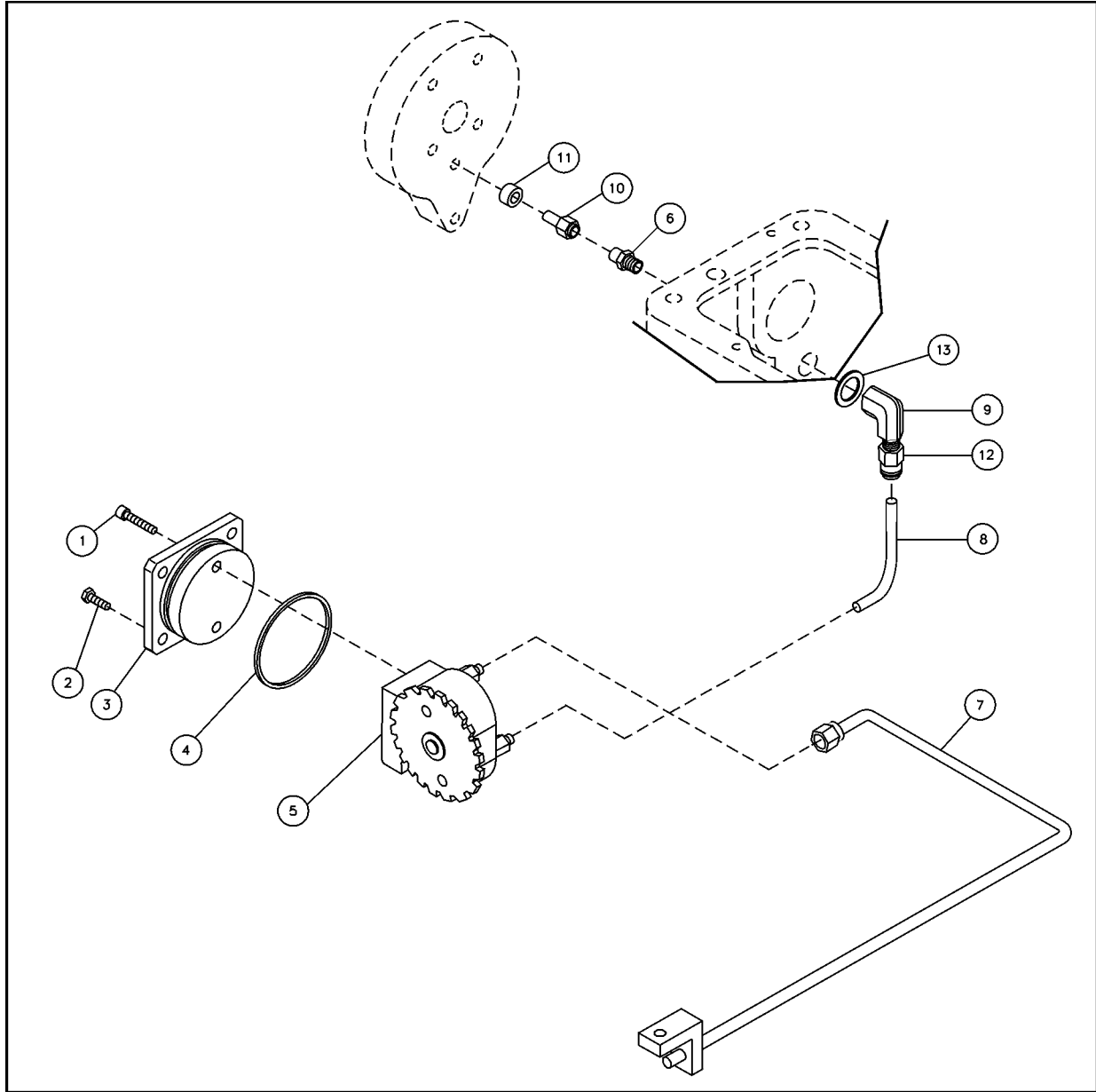
LOOPER ASSEMBLY



Item No.	Quantity	Part No.	Description:
1	1	10060	Looper
2	1	SC54012	Screw, Soc Cap 5-40 x 1/2 UNC
3	1	WF5	Washer, Flat 5
4	1	WF10	Washer, Flat 10
5	1	10059	Holder, Looper
6	1	H103234	Screw, Hex 10-32 x 3/4
7	2	SB103212	Screw, Soc. BTTN 10-32 x 1/2
8	1	15104	Assembly, Seal, Knife Shaft
9	1	T3192	Key
10	1	31013	Shaft, Looper
11	1	10056	Bushing, Shaft Looper
12	1	10173	Assembly, Pivot Looper
	2	15066	Washer, Thrust
	1	15065	Clamp
	1	15039	Pin, Pivot Looper
	1	10153	Knuckle, Pivot Looper
	1	SC103258	Screw, Soc. Cap 10-32 x 5/8
13	1	SS103214CP	Screw, Soc. Set 10-32 x 1/4 cone point
14	1	15105	Gasket, Looper Shaft Seal
15	1	31018	Assembly Cam, Looper
	1	SS103258CP	Screw, Soc. Set Cone Point 10-32 x 5/8
	1	SS103212	Screw, Soc. Set 10-32 x 1/2

8.7

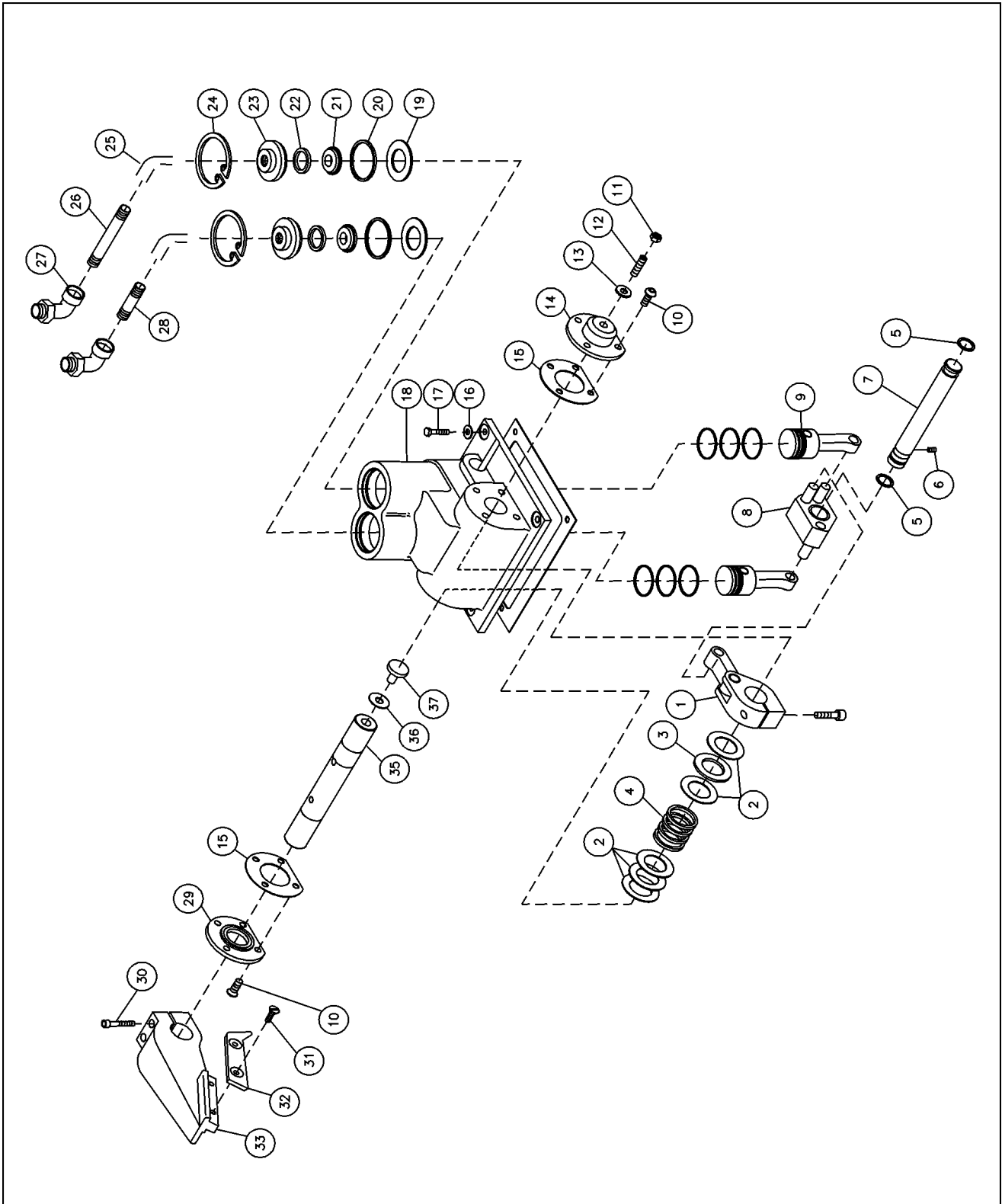
OIL PUMP ASSEMBLY



Item No.	Quantity	Part No.	Description:
1	2	SC103278	Screw, Soc. Cap 10-32 x 7/8
2	4	H103212	Screw, Hex HD 10-32 x 1/2
3	1	15015	Mount Pump
4	1	10084	O-ring
5	1	31096	Assembly, Gear Pump (modified)
6	REF	15059	Fitting, Male Conn 1/8 M X 1/4 T (Part of 15088)
7	1	15050	Assy, Oil Line - Intake
8	3.5 in (89mm)	67735	Tubing, Hydraulic 1/4 OD X .170 ID
9	1	66085	Fitting, Elbow 1/8 F X 1/8 F
10	1	15088	Tubing, copper (includes item #6)
11	1	A1882	Bushing, Neoprene
12	1	67733	Fitting, Conn. 1/8 MNPT X 1/4 T(SP)
13	1	15077	Washer, Nylon Special

8.8

TAPE CLIPPER (31035)



**FISCHBEIN® MODELS 100 & 101 EMPRESS™ SERIES SEWING HEAD
OPERATOR'S MANUAL**

Item No.	Quantity	Part No.	Description:
1	1	10447	Assembly, Lever Cutter
	1	SC14201	Screw, Soc. Cap ¼-20 x 1 Locking
2	5	T3129	Washer, Thrust
3	1	P4024	Bearing, Thrust
4	1	10424	Spring, Compression
5	2	10420	O-ring-Crankshaft
6	1	SS1032316	Screw, Soc. Set 10-32 x 3/16
7	1	10419	Crankshaft
8	1	10404	Assembly, Crank
9	2	10458	Assembly, Piston-Tape Clipper
	4	10398	Ring, Backup
	2	10399	U-Cup
10	4	SB103214	Screw, BTTN 10-32 x ¼
11	1	NH1428	Nut, Hex ¼-28
12	1	10440	Screw, Adjusting
13	1	10052	Washer, Nylon
14	1	10430	Plate, Cover
15	2	10429	Gasket
REF	1	10092	Gasket, Cover-Top
16	4	10438	Washer, Compression
17	4	H103258	Screw, Hex 10-32 x 5/8
18	1	31036	Housing, Cutter
19	2	10406	Washer, Head Cylinder
20	2	10409	O-ring, Cylinder Head
21	2	10407	Plate, Bumper
22	2	10408	Ring, Bumper
23	2	10410	Head, Cylinder
24	2	10411	Ring, Snap
25	2	P4957	Fitting, Elbow Street
26	1	P4944	Fitting, Nipple Long
27	2	P4962	Fitting, Elbow Female
28	1	P4943	Fitting, Nipple Short
29	1	10403	Assembly, Seal-Shaft
30	2	SC1420114	Screw, Soc. Cap 1/4-20 x 1 ¼
31	2	F103212	Screw, Flat 10-32 x ½
32	1	10443	Knife, Moving
33	1	10432	Lever, Knife
34			
35	1	10426	Shaft, Knife
36	1	10428	Washer, Thrust
37	1	10427	Shaft, Thrust